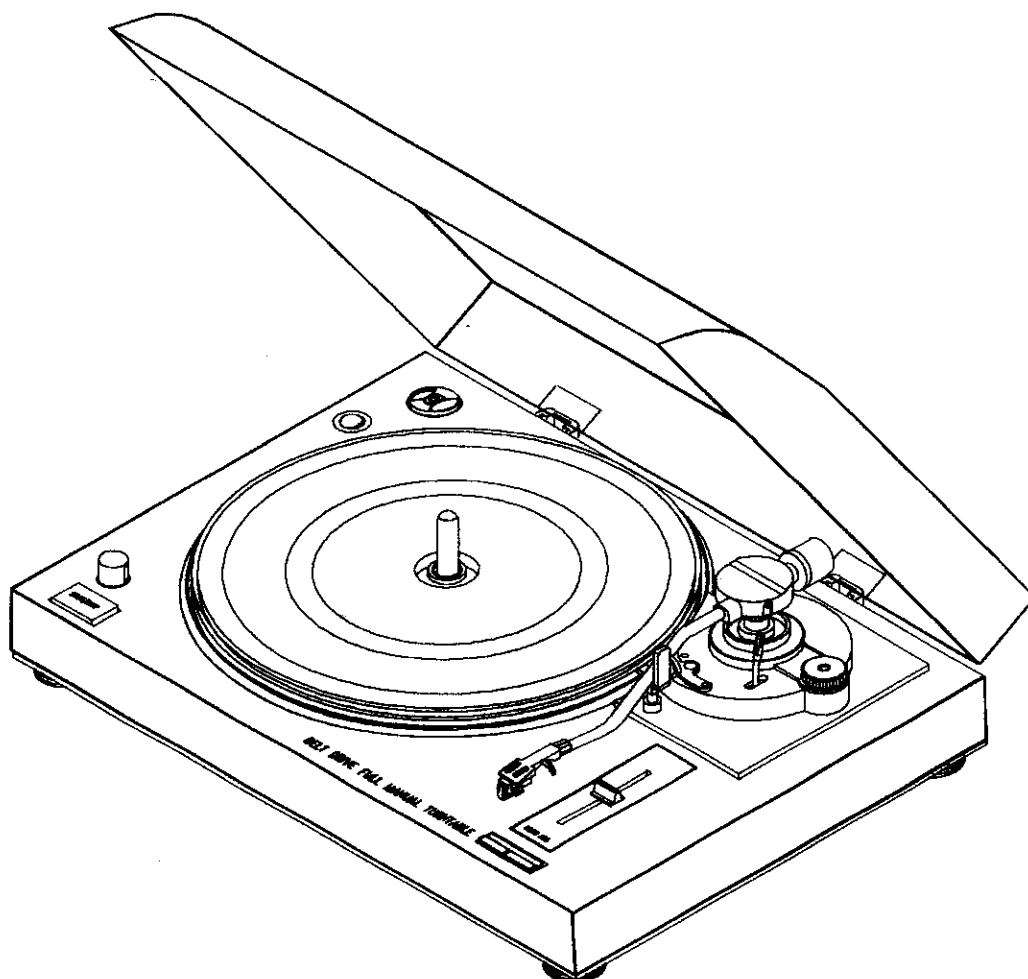


**P** **PYLE**<sup>®</sup>  
**PRO** **PYLE**<sup>®</sup>  
**PRO**

**PLTTB-1 STEREO TURNTABLE**



---

**INSTRUCTION MANUAL**

---

## Table of Contents:

Components and Connectors . . . . .	2
Installing the Turntable Platter . . . . .	3
Installing the Counterweight . . . . .	4
Setting the Stylus Pressure . . . . .	4-6
Setting the Antiskating Control . . . . .	7
Installing the Dust Cover . . . . .	7
Connecting the Turntable . . . . .	8
Operating the Turntable . . . . .	8-10
Changing the Cartridge . . . . .	10
Technical Specifications . . . . .	back cover

**NOTE: To minimize damage during transportation, this product is shipped partially unassembled. Read and follow all safety, installation and operating instructions carefully. Keep the packaging in case of future need.**

<div style="display: inline-block; text-align: center; border: 1px solid black; padding: 2px;"> <b>CAUTION</b>  <small>RISK OF ELECTRIC SHOCK DO NOT OPEN</small> </div> <p style="font-size: 8px; margin-top: 5px;">CAUTION: TO REDUCE THE RISK OF ELECTRIC SHOCK, DO NOT REMOVE COVER. NO USER-SERVICEABLE PARTS INSIDE. REFER SERVICING TO QUALIFIED SERVICE PERSONNEL.</p>	<div style="display: inline-block; text-align: center; border: 1px solid black; padding: 2px;"> <b>ATTENTION</b>  <small>RISQUE D'ELECTROCUTION NE PAS OUVRIR</small> </div> <p style="font-size: 8px; margin-top: 5px;">ATTENTION: POUR REDUIRE D'ELECTROCUTION NE PAS ENLEVER LE COUVERCLE. AUCUNE PIECE INTERNE N'EST REPRABLE PAR L'UTILISATEUR. POUR TOUTE REPARATION, S'ADRESSER A UN TECHNICIEN QUALIFIE.</p>	<div style="display: inline-block; text-align: center; border: 1px solid black; padding: 2px;"> <b>VORSICHT</b>  <small>ELEKTRISCHE SCHLAGGEFAHR NICHT OFFENEN</small> </div> <p style="font-size: 8px; margin-top: 5px;">VORSICHT: ZUR MINIMIERUNG ELEKTRISCHER SCHLAGGEFAHR NICHT DEN DECKEL ABENHMEN. INTERNE TEILE KÖNNEN NICHT VOM BENUTZER GEWARTET WERDEN. DIE WARTUNG IS QUALIFIZIERTEM WARTUNGSPERSONAL ZU ÜBERLASSEN.</p>									
<p style="font-size: 8px;">THIS EQUIPMENT HAS BEEN DESIGNED AND ENGINEERED TO PROVIDE SAFE AND RELIABLE OPERATION. IN ORDER TO PROLONG THE LIFE OF THE UNIT AND PREVENT ACCIDENTAL DAMAGES OR INJURY, PLEASE FOLLOW THESE PRECAUTIONARY GUIDELINES:</p> <p style="font-size: 8px;"><b>CAUTION:</b> TO REDUCE THE RISK OF ELECTRIC SHOCK, DO NOT OPEN CHASSIS; DO NOT DEFEAT OR REMOVE THE GROUND PIN OF THE POWER CORD; CONNECT ONLY TO A PROPERLY GROUNDED AC POWER OUTLET.</p> <p style="font-size: 8px;"><b>WARNING:</b> TO REDUCE THE RISK OF FIRE OR ELECTRIC SHOCK, DO NOT EXPOSE THIS EQUIPMENT TO RAIN OR MOISTURE. AVOID EXCESSIVELY WARM LOCATIONS AND EXTRA HIGH HUMIDITY.</p> <p style="font-size: 8px;"><b>CAUTION:</b> NO USER-SERVICEABLE PARTS INSIDE. REFER SERVICING TO QUALIFIED SERVICE PERSONNEL.</p> <p style="font-size: 8px;"><b>CAUTION:</b> BE SURE THE AC POWER IS OFF BEFORE MAKING CONNECTIONS.</p>											
<table style="width: 100%; border: none;"> <tr> <td style="width: 33%; font-size: 8px;">EXPLANATION OF GRAPHICAL SYMBOLS:</td> <td style="width: 33%; text-align: center;">  = "DANGEROUS VOLTAGE"                      "VOLTAJE PELIGROSO"                      "DANGER HAUTE TENSION"                      "GEFAHRLICHE SPANNUNG"                 </td> <td style="width: 33%; text-align: center;">  = "IT IS NECESSARY FOR THE USER TO REFER TO THE INSTRUCTION MANUAL"                      "ES NECESARIO QUE EL USUARIO SE REFIERA AL MANUAL DE INSTRUCCIONES."                      "REFERREZ-VOUS AU MANUAL D'UTILISATION"                      "UNBEDINGT IN DER BETRIEBUNGSANLEITUNG NACHSCHLAGEN"                 </td> </tr> <tr> <td style="font-size: 8px;">EXPLICACION DE SIMBOLOS GRAFICOS:</td> <td></td> <td></td> </tr> <tr> <td style="font-size: 8px;">EXPLICATION DES SYMBOLES GRAPHIQUES:</td> <td></td> <td></td> </tr> </table>			EXPLANATION OF GRAPHICAL SYMBOLS:	= "DANGEROUS VOLTAGE" "VOLTAJE PELIGROSO" "DANGER HAUTE TENSION" "GEFAHRLICHE SPANNUNG"	= "IT IS NECESSARY FOR THE USER TO REFER TO THE INSTRUCTION MANUAL" "ES NECESARIO QUE EL USUARIO SE REFIERA AL MANUAL DE INSTRUCCIONES." "REFERREZ-VOUS AU MANUAL D'UTILISATION" "UNBEDINGT IN DER BETRIEBUNGSANLEITUNG NACHSCHLAGEN"	EXPLICACION DE SIMBOLOS GRAFICOS:			EXPLICATION DES SYMBOLES GRAPHIQUES:		
EXPLANATION OF GRAPHICAL SYMBOLS:	= "DANGEROUS VOLTAGE" "VOLTAJE PELIGROSO" "DANGER HAUTE TENSION" "GEFAHRLICHE SPANNUNG"	= "IT IS NECESSARY FOR THE USER TO REFER TO THE INSTRUCTION MANUAL" "ES NECESARIO QUE EL USUARIO SE REFIERA AL MANUAL DE INSTRUCCIONES." "REFERREZ-VOUS AU MANUAL D'UTILISATION" "UNBEDINGT IN DER BETRIEBUNGSANLEITUNG NACHSCHLAGEN"									
EXPLICACION DE SIMBOLOS GRAFICOS:											
EXPLICATION DES SYMBOLES GRAPHIQUES:											

# PYLE PRO PLTTB-1 Stereo Turntable

## Components and Connectors:

**1. ADAPTER:** Use this adapter when playing 45 RPM records.

**2. POWER SWITCH:** Use this switch to turn the turntable on and off.

**3. PLATTER:** Set the record here when playing.

**4. STROBOSCOPE LAMP:** This lamp shines on the markings on the outside edge of the platter. (This is useful when making precise adjustments to the platter speed.)

**5. START/STOP SWITCH:** Use this switch to start and stop the rotation of the platter.

**6. COUNTERWEIGHT:** Use this to properly balance the tonearm.

**7. ANTISKATING CONTROL:** Use this to set the antiskating function of the tonearm.

**8. TONEARM LEVER:** Use this lever to lower and raise the tonearm.

**9. TONEARM LOCK:** Use this to lock the tonearm in place when not in use.

**10. TONEARM:** Keep locked in place when not in use.

**11. PITCH CONTROL:** Use this slider to vary the pitch of the recording by slightly speeding up or slowing down the rotation of the platter.

**12. HEADSHELL:** This holds the stylus ("needle") in place and provides protection by means of its removable stylus protection cap (not shown).

**13. SPEED INDICATORS:** These lights illuminate to show which speed (33-1/3 or 45 RPM) is selected.

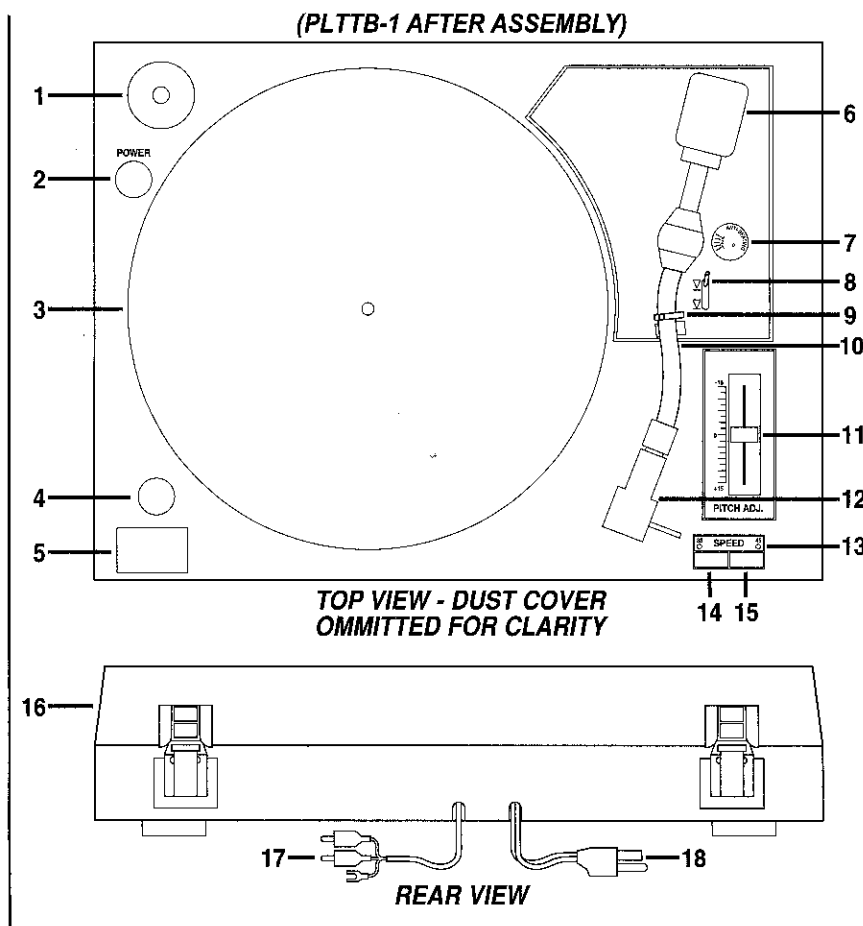
**14. 33 RPM SELECTOR:** Use this switch to select the 33-1/3 RPM speed.

**15. 45 RPM SELECTOR:** Use this switch to select the 45 RPM speed.

**16. DUST COVER:** Use this to protect the turntable from exposure to dust. The cover may be opened or removed during use, but should remain closed when the turntable is not in use.

**17. SIGNAL CONNECTORS:** Use these to connect the turntable to the mixer or amplifier in your sound system.

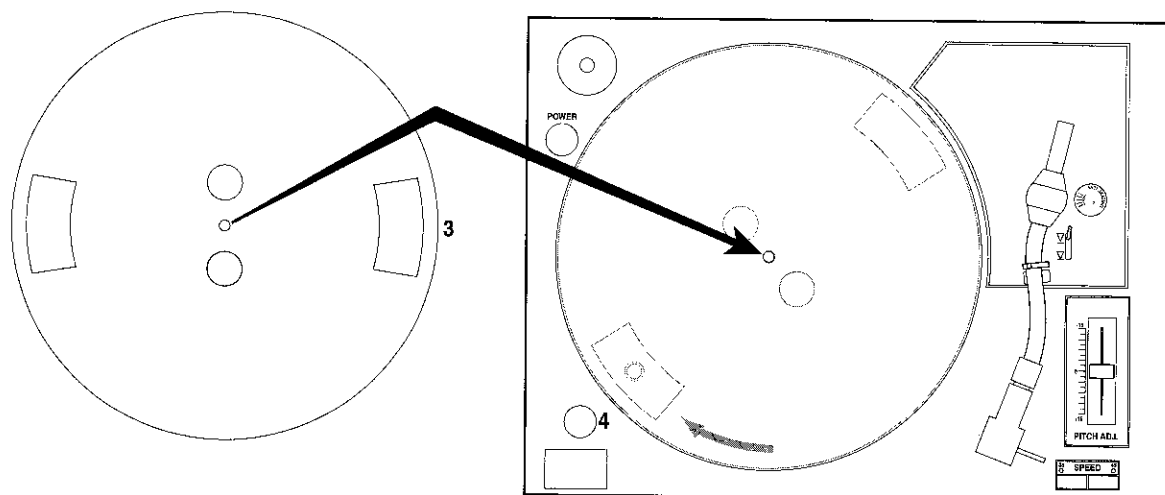
**18. POWER CORD:** Connect this cord to a grounded AC outlet of the proper voltage. **DO NOT DEFEAT THE GROUND PRONG OF THE AC PLUG!**



# **PYLE PRO PLTTB-1 Stereo Turntable**

## **Installing the Turntable Platter:**

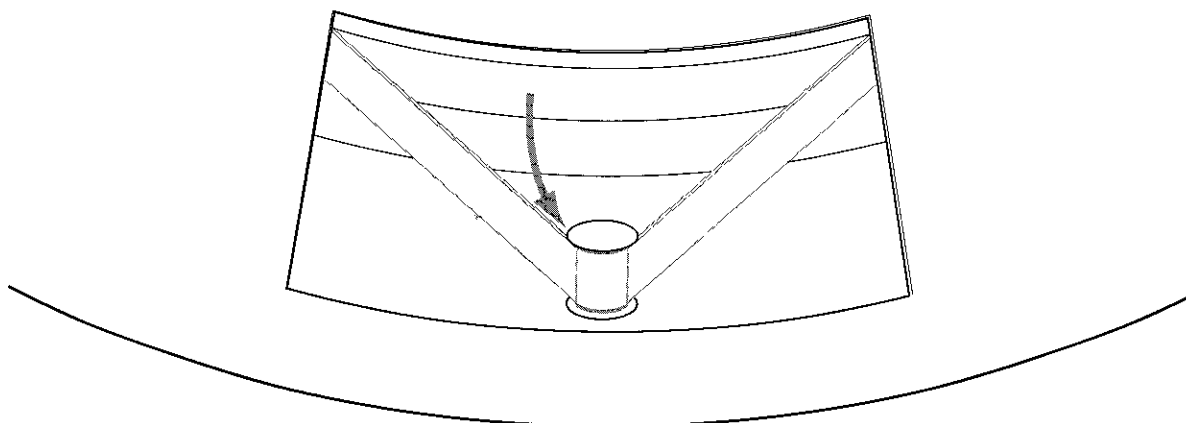
**NOTE:** Your turntable may already have the platter installed. If not, follow the installation instructions below.



Remove the platter (3) from the packaging.

Place the platter over the center spindle of the turntable.

Rotate the platter by hand until one of the cutouts is close to the stroboscope lamp (4) and the drive axle (inside the turntable) can be seen through the cutout.

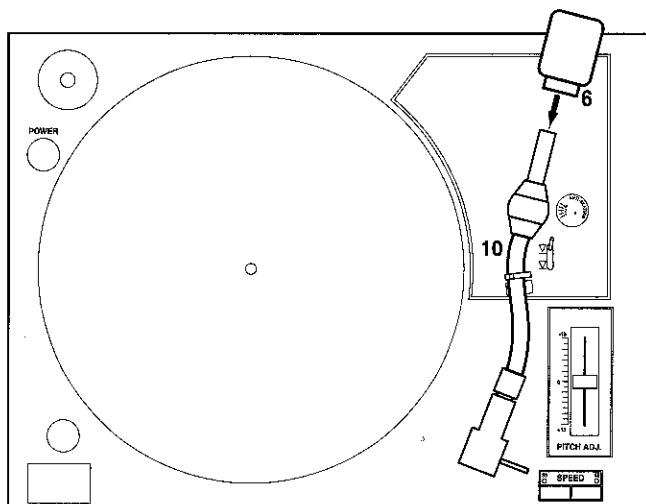


Reaching through the cutout of the platter, grasp the drive belt and pull it over the drive axle.

Place the supplied rubber mat onto the turntable platter.

# **PYLE PRO PLTTB-1 Stereo Turntable**

## **Installing the Counterweight:**

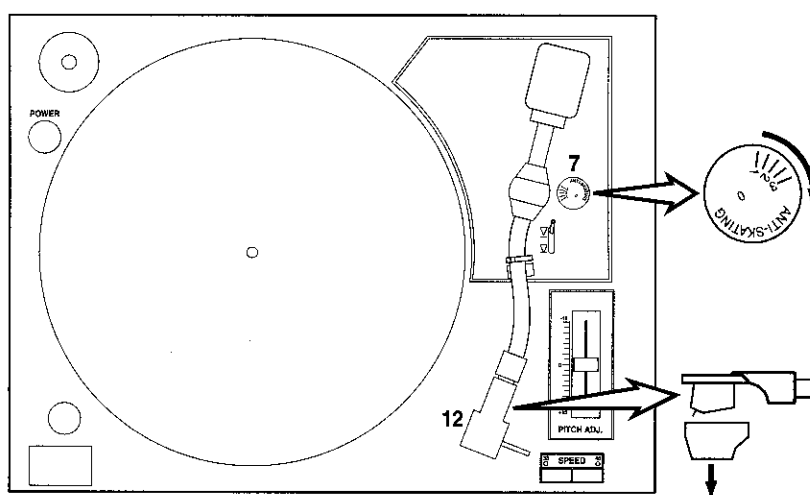


Remove the counterweight (6) from the packaging.

Hold the tonearm (10) near its mid-point with one hand.

With your other hand slide the counterweight onto the end of the tonearm until it is fully seated.

## **Setting the Stylus Pressure:**



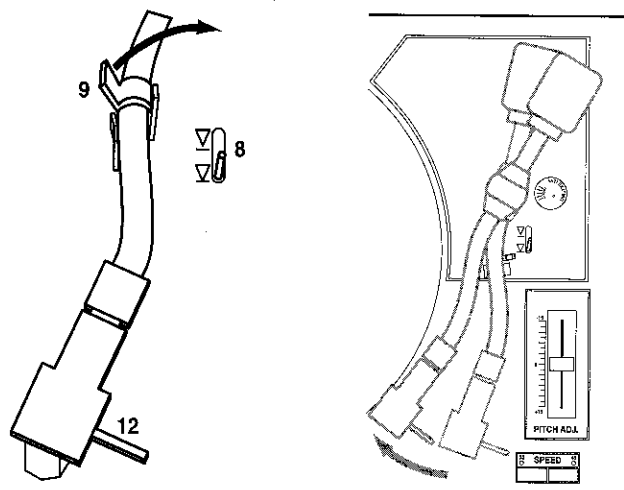
Set the antiskating control (7) to the "0" position.

Remove the stylus protection cap by gently pulling it down, away from the top of the headshell (12).

*Note: Replacement cartridges are available from your PYLE PRO dealer.*

# PYLE PRO PLTTB-1 Stereo Turntable

## Setting the Stylus Pressure - con't:

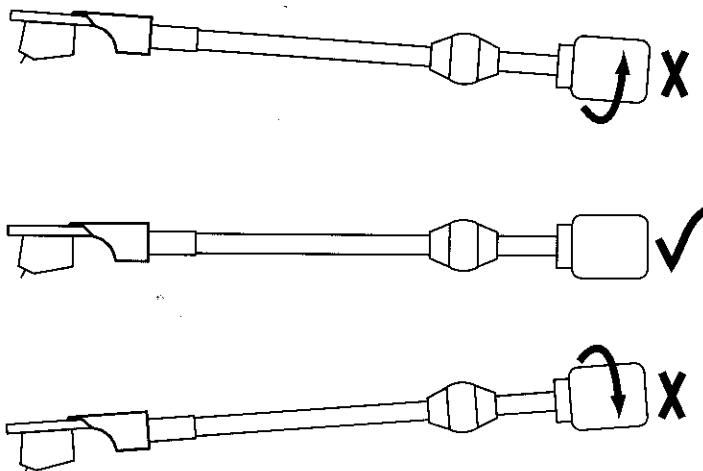


Set the tonearm lever (8) to the front [  $\nabla$  ] position.

Open the tonearm lock (9) by lifting its left end up and over to the right.

Carefully lift the tonearm by the handle on the headshell (12) and position it near (but not over) the platter. The tonearm must be free to move up and down.

**WARNING: THE STYLUS MUST NOT MAKE CONTACT WITH ANY SURFACE!**



Rotate the counterweight until the tonearm "floats" in the horizontal position when not supported by your hands.

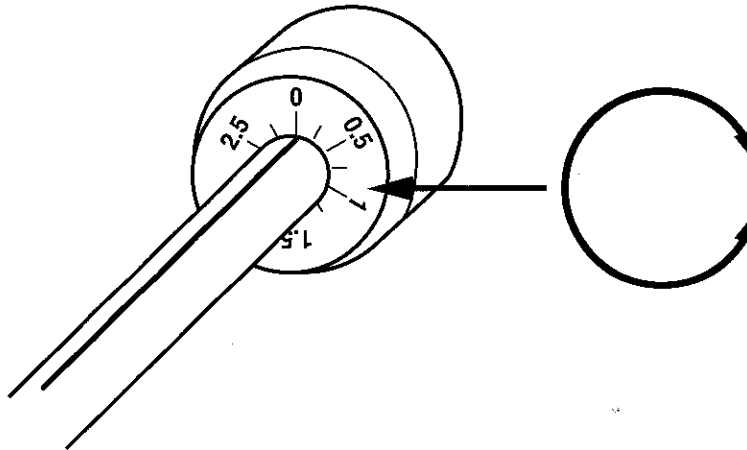
- If the tonearm sinks towards the counterweight, rotate the weight counterclockwise.
- If the tonearm sinks towards the headshell, rotate the counterweight clockwise.

Set the tonearm lever (8) to the rear [  $\nabla$  ] position.

Return the tonearm to its support and secure it by means of the tonearm lock (9).

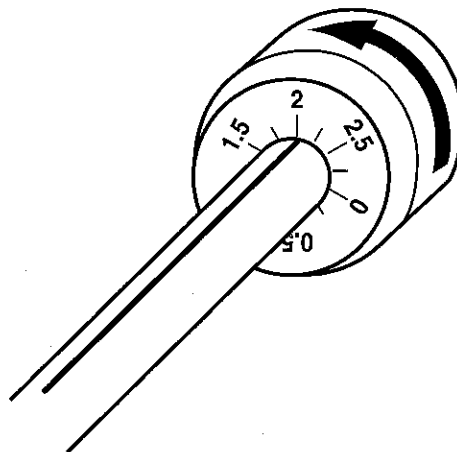
## **PYLE PRO PLTTB-1 Stereo Turntable**

### **Setting the Stylus Pressure - con't:**



Locate the rotatable ring on the counterweight (the ring has numeric indicators printed on its surface).

Without rotating the counterweight, rotate the ring until the "0" on the ring aligns with the indicator line on the top of the tonearm.



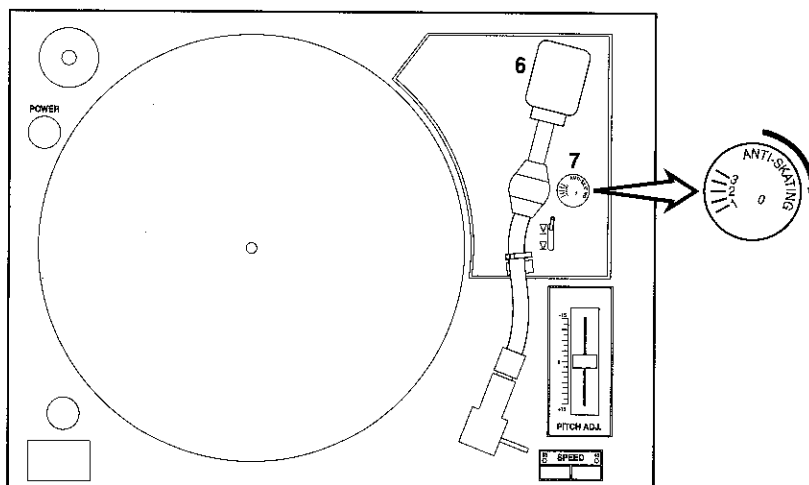
The scale on the ring is weight in grams. The counterweight must be set to correspond to the pressure required by the stylus attached to the tonearm. In the case of the stylus supplied with the PLTTB-1, a weight of 2g is required.

Rotate the counterweight *and* its ring until the "2" on the ring aligns with the indicator line on the top of the tonearm.

For other stylus systems adjust the counterweight according to the manufacturer's requirements.

# **PYLE PRO PLTTB-1 Stereo Turntable**

## **Setting the Antiskating Control:**

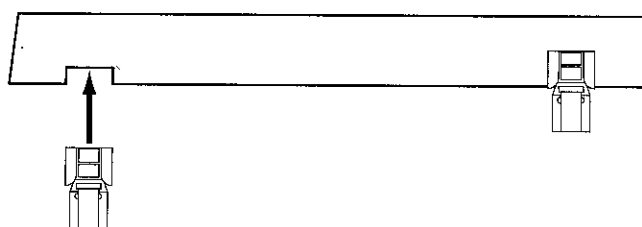


The antiskating control (7) must be set to match the setting of the counterweight (6). Rotate the antiskating control from the "0" position to match the counterweight (in this case, "2").

The number on the left edge of the control (when the turntable is viewed from above) is the value of the control's setting.

## **Installing the Dust Cover:**

***NOTE: Your turntable may already have the dust cover installed. If not, follow the installation instructions below.***



Remove the dust cover hinges from the packaging.

Attach the hinges to the dust cover by sliding them securely into place.

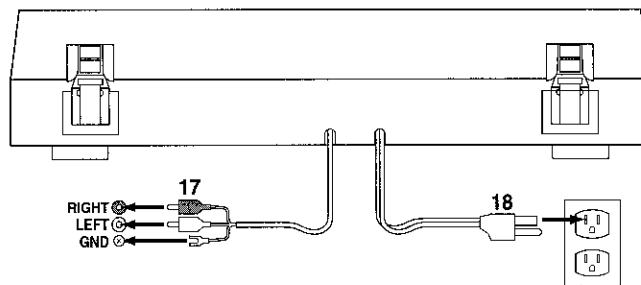
Attach the dust cover to the turntable by inserting the exposed ends of the hinges into the mounts on the back of the turntable base.

The dust cover may be removed for convenience (such as during disco-style usage) but should always be replaced when the turntable is not in use.



# **PYLE PRO PLTTB-1 Stereo Turntable**

## **Connecting the Turntable:**

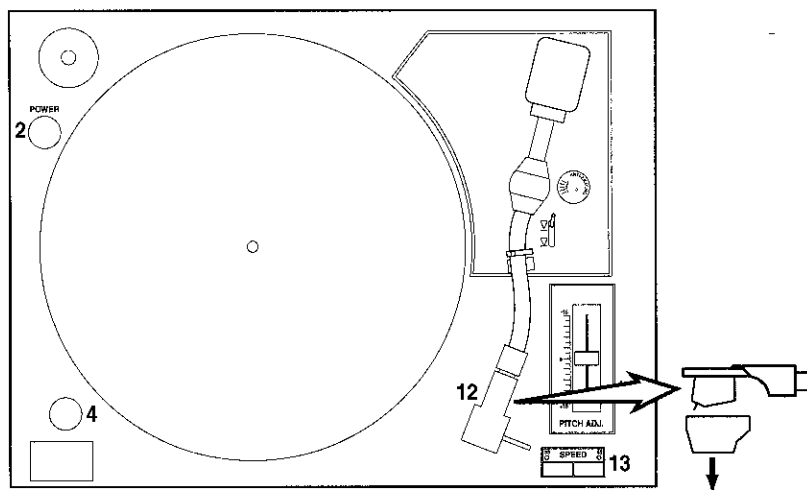


Connect the turntable's output connectors (17) to the input jacks of your amplifier or mixer. Use jacks labeled for use with magnetic turntable systems, or use the proper phono preamp. Use red for the right channel, white for the left channel.

Firmly attach the ground lug to the ground terminal of your amplifier or mixer.

Plug the power cord (18) into a suitable source of AC power.

## **Operating the Turntable:**



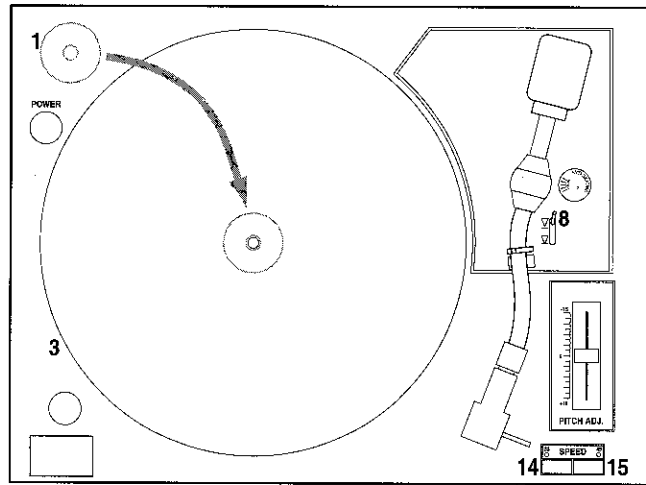
Remove the stylus protection cap by gently pulling it down, away from the top of the headshell (12).

Switch the turntable on by means of the power switch (2).

The speed indicator (13) and stroboscope lamp (4) will illuminate at this point.

# PYLE PRO PLTTB-1 Stereo Turntable

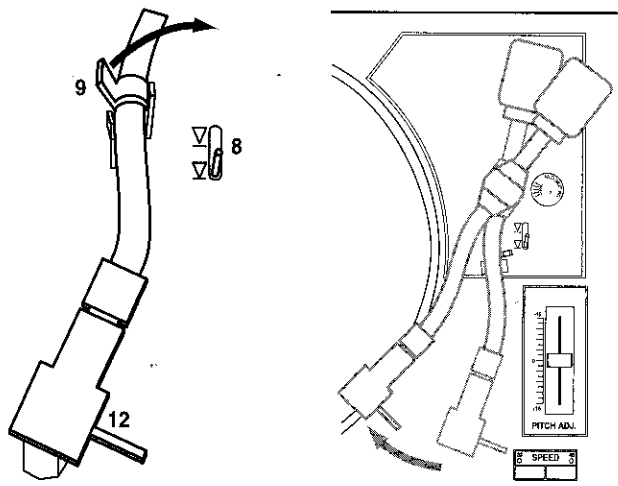
## Operating the Turntable - con't:



Select the proper playing speed: 33 RPM (14) for LP's; 45 RPM (15) for singles. The speed is indicated by the illuminated spot over the chosen speed selector.

Place the record onto the platter (3). When playing singles, use the adapter (1).

Set the tonearm lever (8) to the rear [ ▽ ] position.



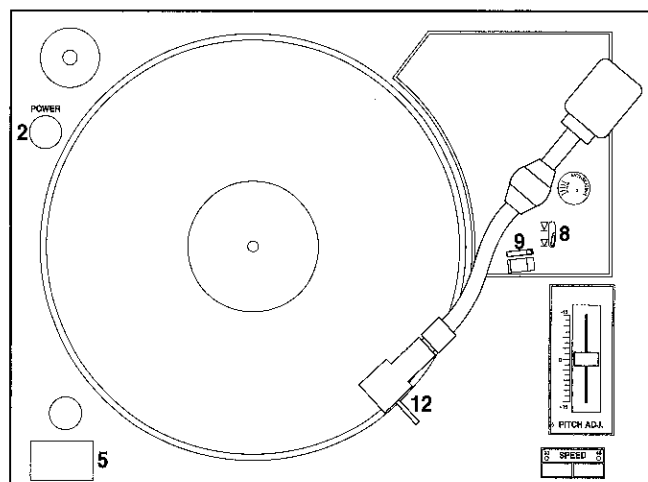
Open the tonearm lock (9) by lifting its left end up and over to the right.

Carefully lift the tonearm by the handle on the headshell (12) and position it so the stylus is above the beginning of the record.

Set the tonearm lever (8) to the front [ ▽ ] position. This slowly lowers the stylus onto the record.

# **PYLE PRO PLTTB-1 Stereo Turntable**

## **Operating the Turntable - con't:**



Use the start/stop switch (5) to start playing the record. The record can be stopped and restarted during play by means of the start/stop button.

Use the tonearm lever (8) to lift the stylus from the record when finished playing.

Move the tonearm back to its support by means of the handle on the headshell (12).

When finished with the turntable, secure the tonearm in its support by means of the tonearm lock (9), set the tonearm lever (8) to the rear [ ▽ ] position, and turn the power off by means of the power switch (2).

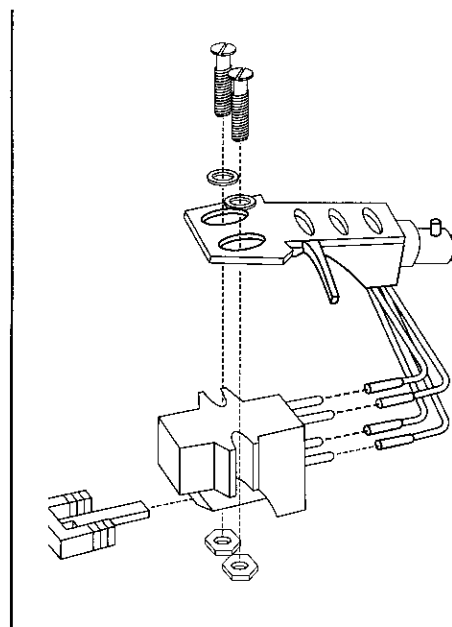
## **Replacing the Cartridge:**

Most replacement cartridges come with their own set of instructions and design, so you should refer to the individual cartridge's instructions to ensure the proper installation.

1) Remove the existing cartridge (refer to the illustration to the right).

2) Connect the lead wires to the replacement cartridge terminals. Most cartridge terminals come color coded – connect the lead wire to the terminal of the matching color:

- WHITE: L+ (LEFT CHANNEL POSITIVE)**
- BLUE: L- (LEFT CHANNEL NEGATIVE)**
- RED: R+ (RIGHT CHANNEL POSITIVE)**
- GREEN: R- (RIGHT CHANNEL NEGATIVE)**



3) Mount the replacement cartridge into the headshell and tighten it using the screws included with the cartridge.

# PYLE PRO PLTTB-1 Stereo Turntable

## Technical Specifications:

Tonearm Effective Length	8.31" (211mm)
Tonearm Overhang	1.38" (35mm)
Turntable Platter	Plastic, 11.81" (300mm) diameter, 8 oz. (200 g)
Speeds	33-1/3 and 45 RPM
Pitch Control	±8%
Starting Time	<0.5 seconds
Braking	1/4 rotation
Wow and Flutter	<0.25%
Rumble	-55dB (DIN 45 544)
Power Supply	115V/230V, 50/60Hz, approx. 24VA
Dimensions (W x H x D)	16.93" (430mm) x 4.72" (120mm) x 14.57" (370mm)
Weight	6.6 lbs. (3.0 kg)

*(According to the Manufacturer - Specifications subject to change without notice.)*



Made in Malaysia for PYLE PRO